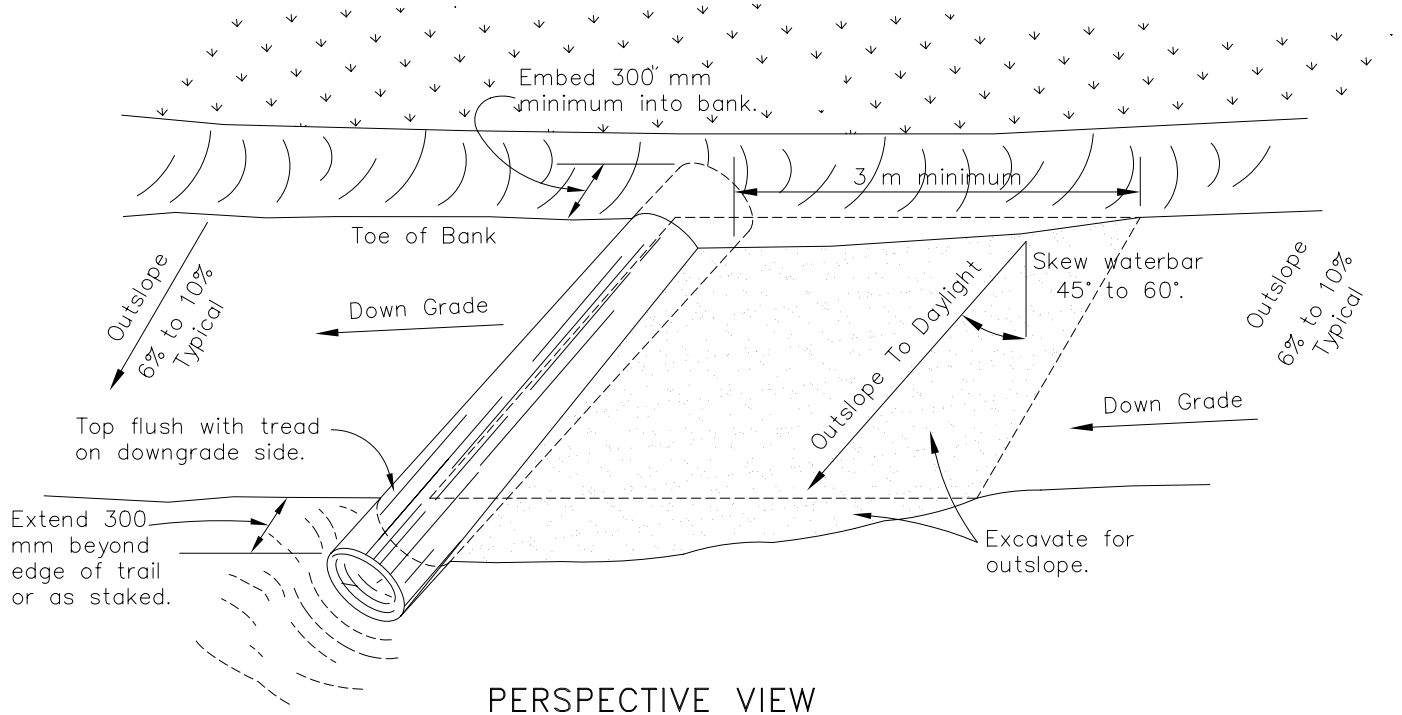
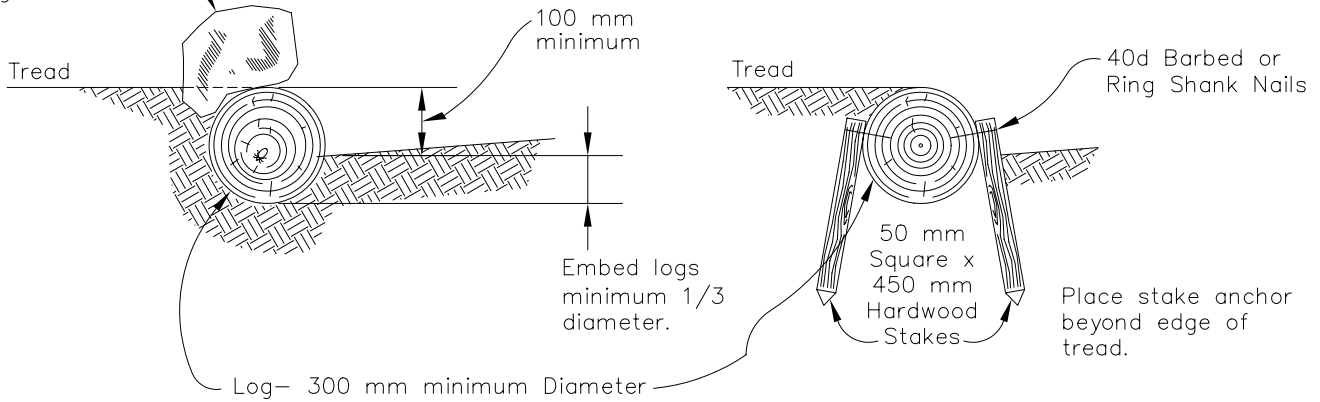


LOG OR TREATED TIMBER WATERBAR

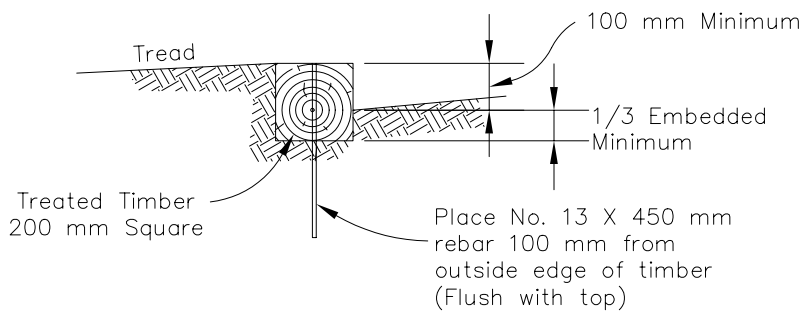
NOT TO SCALE



Place 50 kg (minimum) rock anchor beyond edge of tread.



LOG ANCHORS



Preservative Treatment:

Net Retention _____ kg/m³

TREATED TIMBER ANCHOR