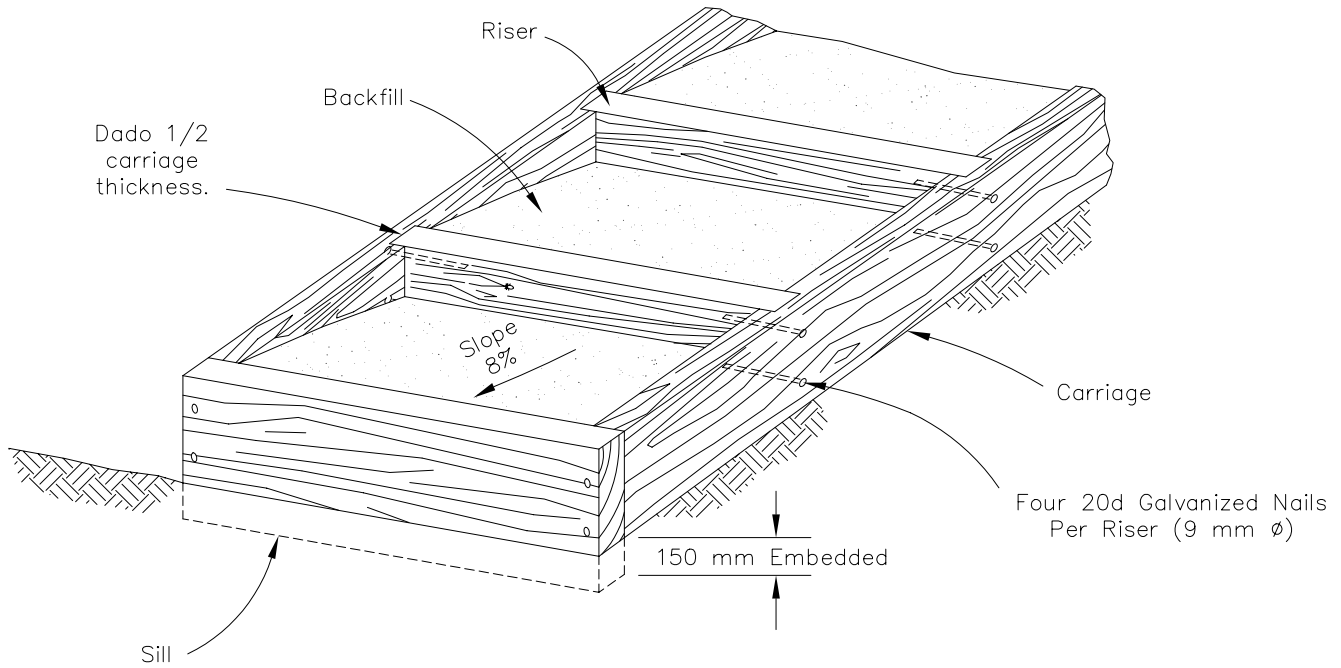


CRIB LADDER STAIRWAY

NOT TO SCALE



Preservative Treatment: _____

Net Retention _____ kg/m³

STAIRWAY DIMENSIONS

Location	Step Rise	Step Run	Width	Carriage Length	Carriage/Plank Step Dimensions	Sill Dimensions	Species