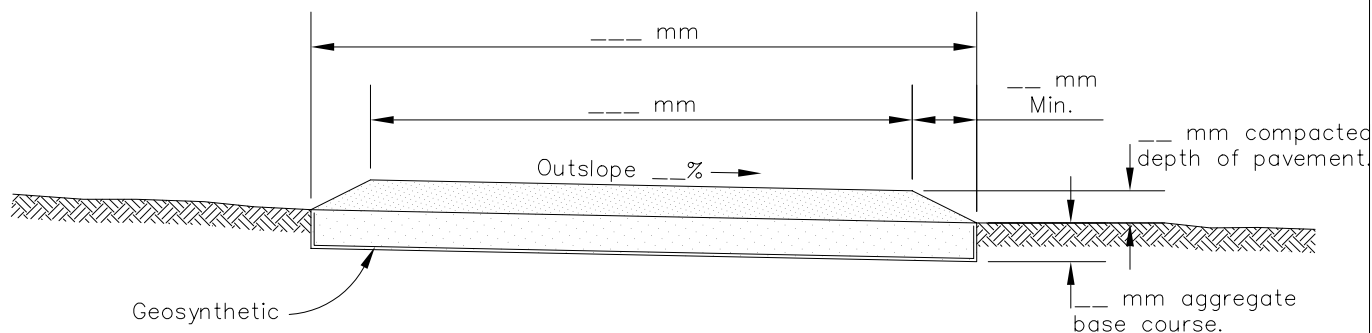
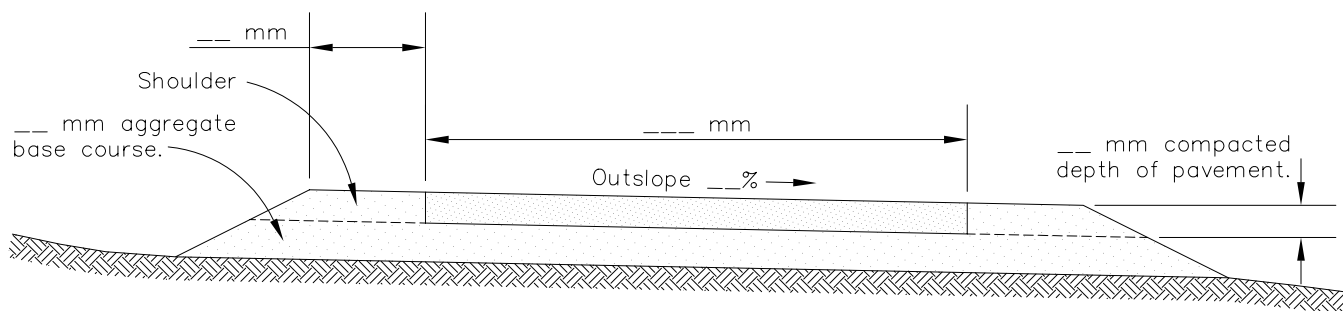


BITUMINOUS SURFACING

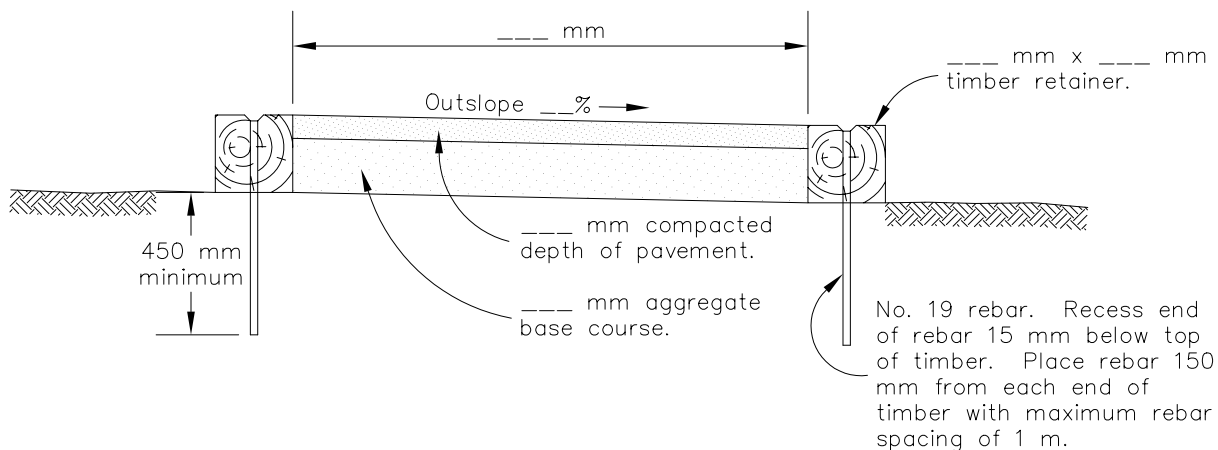
NOT TO SCALE



BITUMINOUS SURFACING – NO SHOULDERS



BITUMINOUS SURFACING WITH SHOULDERS



BITUMINOUS SURFACING WITH RETAINERS

RETAINER NOTES:

LOCATION	MATERIAL	SPECIES	SIZE (mm)	TYPE OF TREATMENT	MINIMUM RETENTION kg/m ³