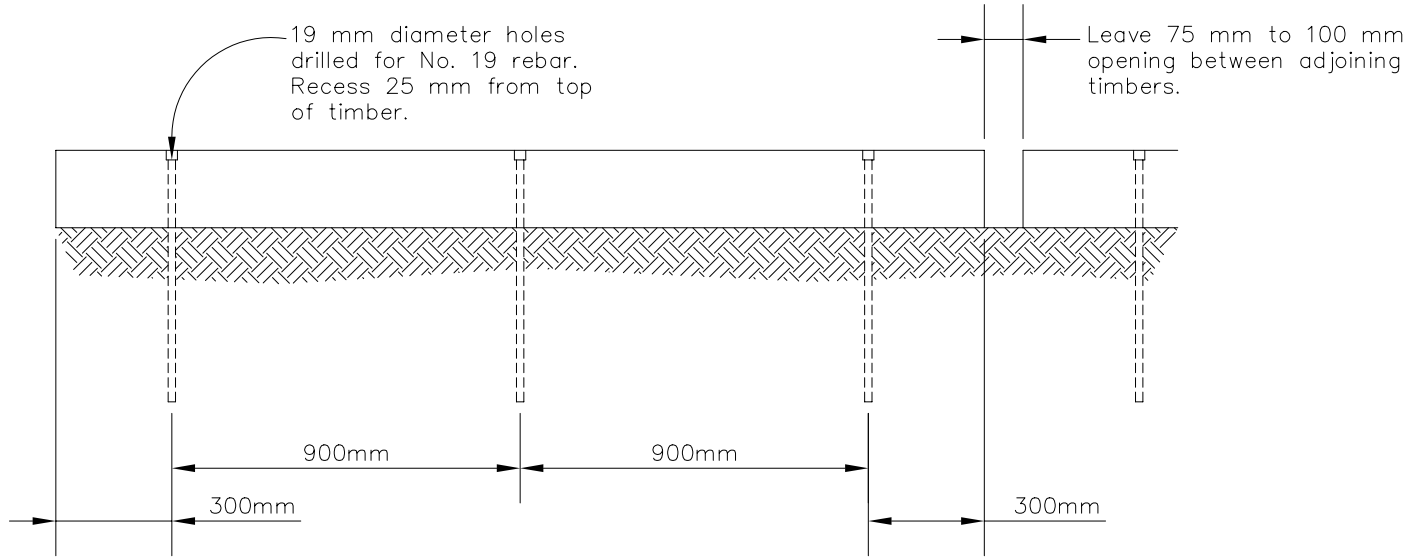
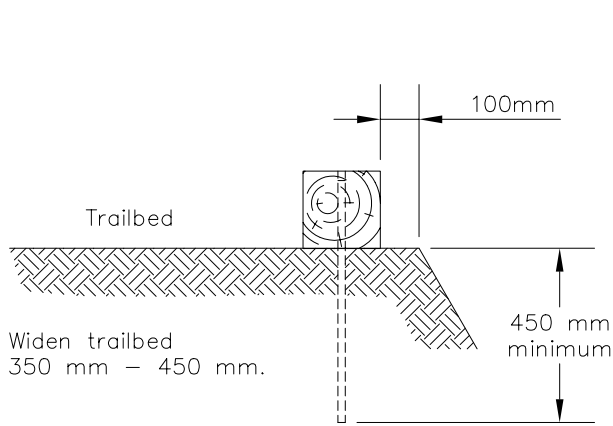


TREATED TIMBER BARRIER

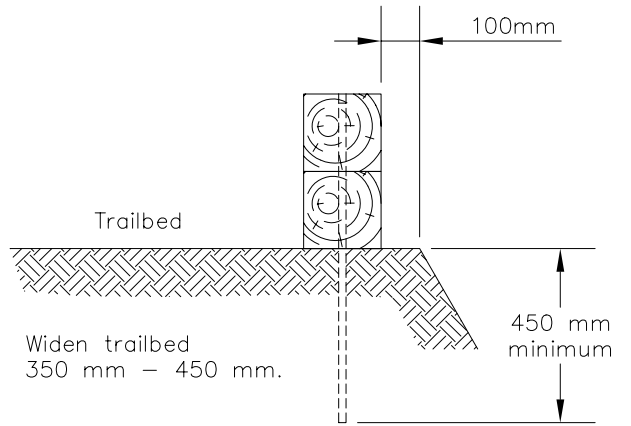
NOT TO SCALE



FRONT VIEW



END VIEW ONE TIMBER



END VIEW TWO TIMBER

| LOCATION | MATERIAL DIMENSIONS (mm) | SPECIES | TREATMENT TYPE | MINIMUM RETENTION |
|----------|--------------------------|---------|----------------|-------------------|
| | | | | |
| | | | | |
| | | | | |