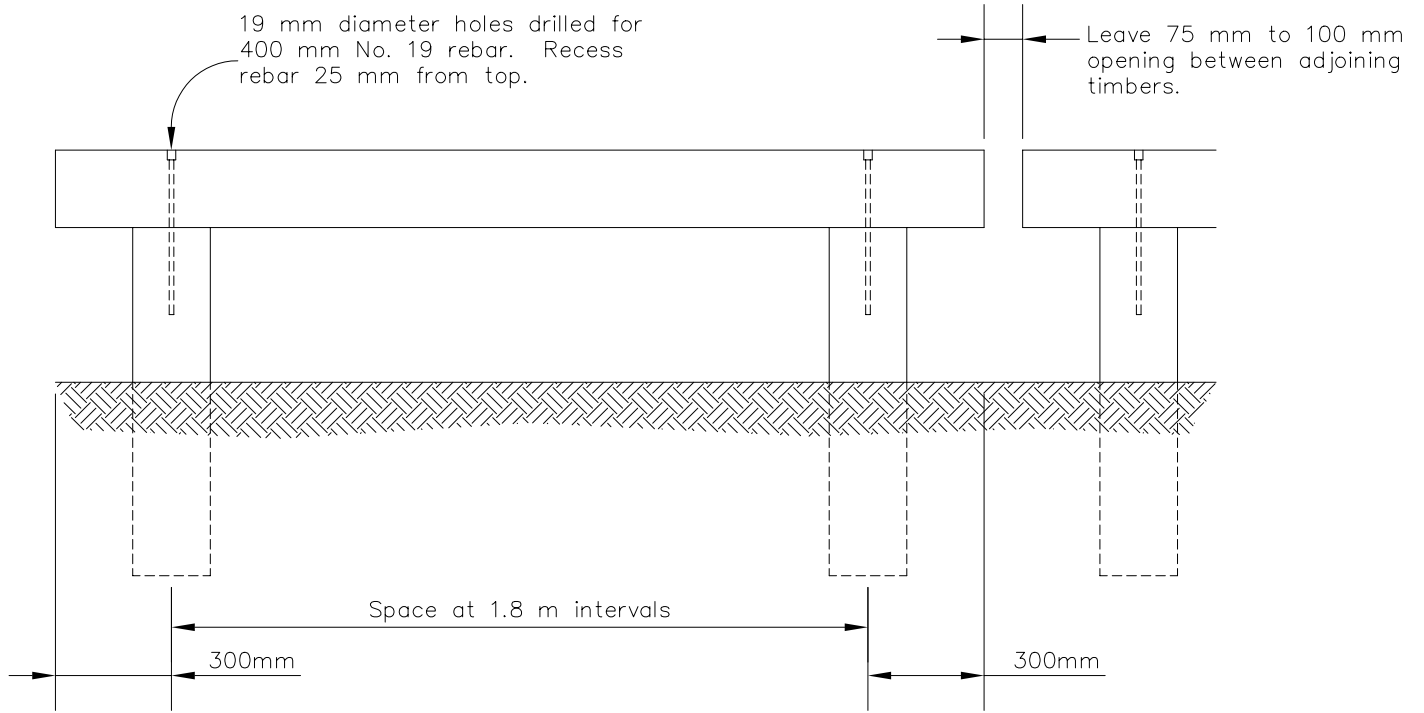
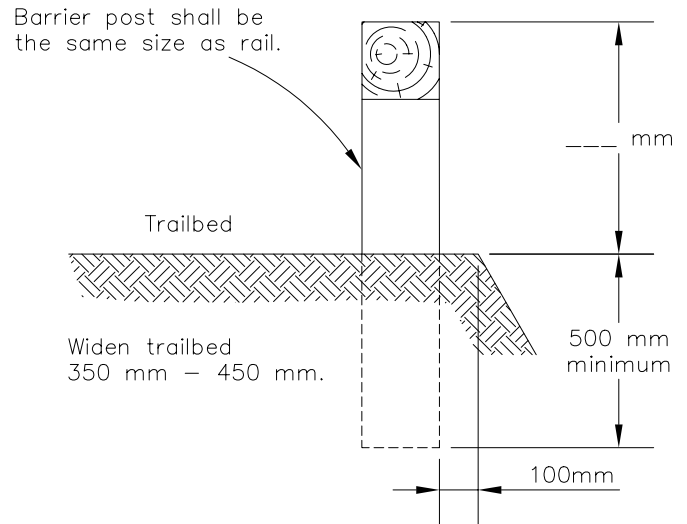


TREATED TIMBER BARRIER ON POSTS

NOT TO SCALE



FRONT VIEW



END VIEW

LOCATION	MATERIAL DIMENSIONS (mm)	SPECIES	TREATMENT TYPE	MINIMUM RETENTION
to				
to				
to				
to				
to				
to				